



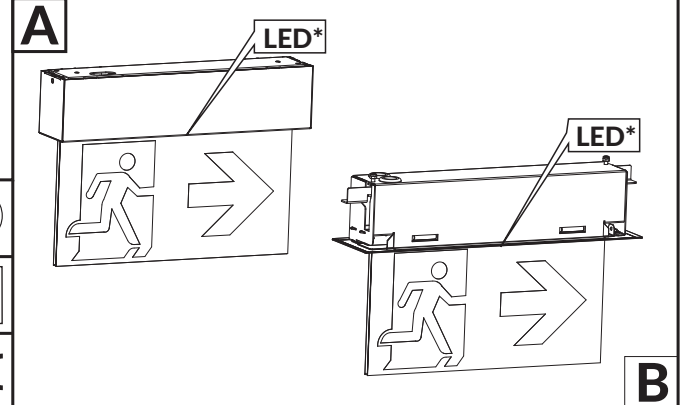
TM TECHNOLOGIE
 emergency & evacuation lighting
TM.PRIMO AP
TM.PRIMO PP



IP 20 LED 3h

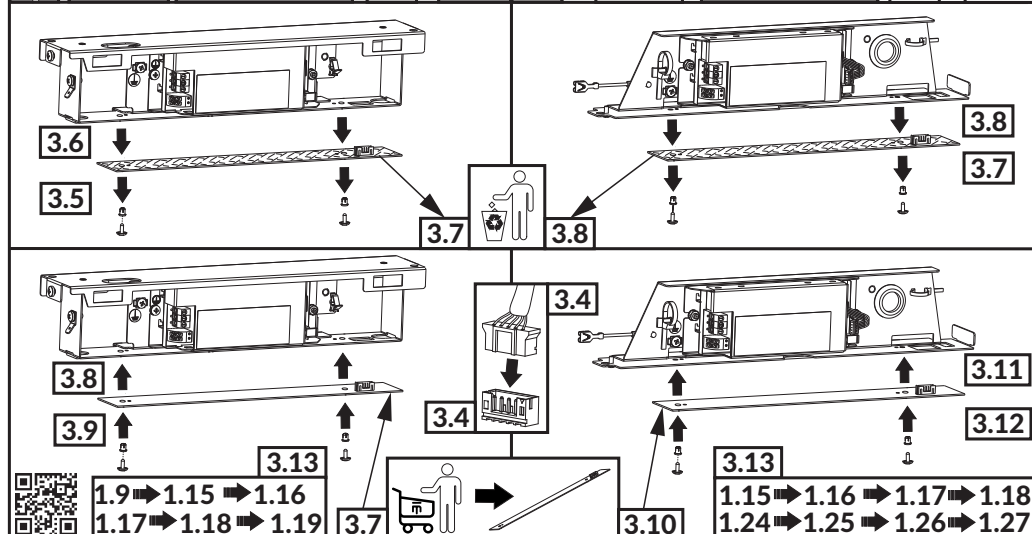
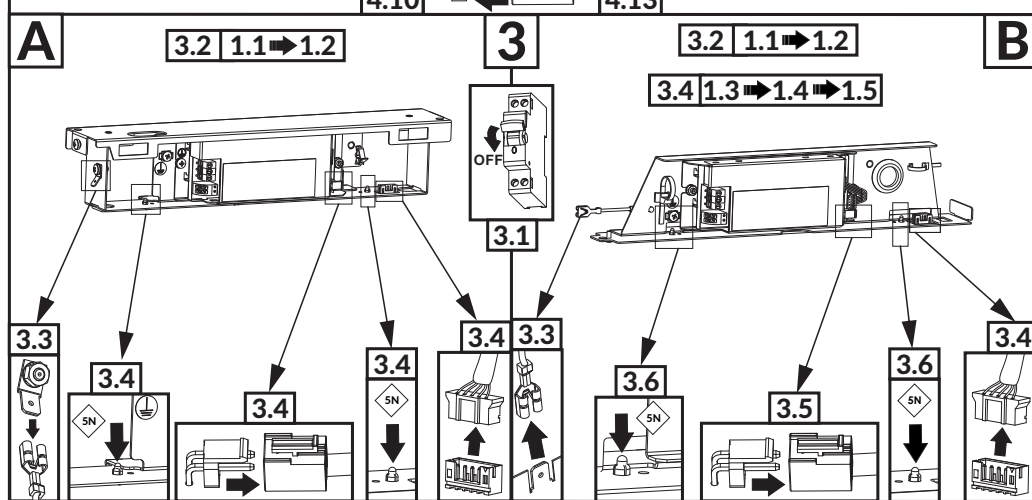
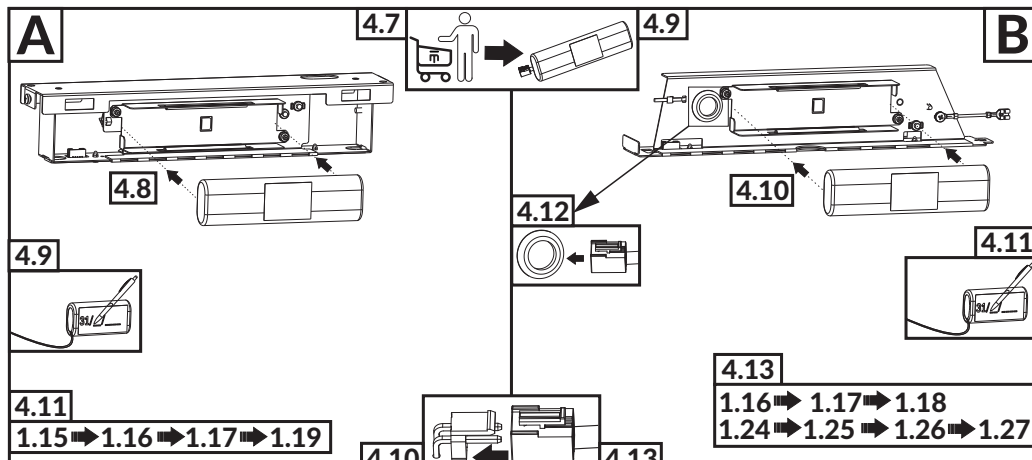
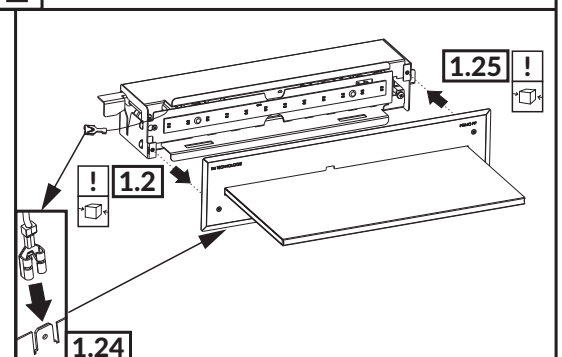
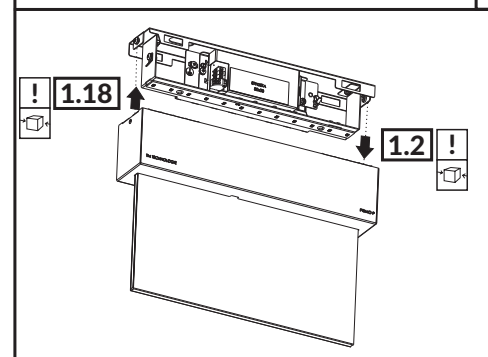
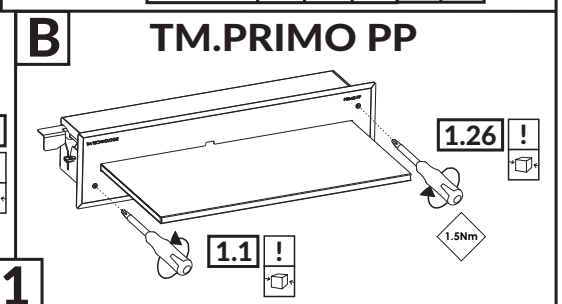
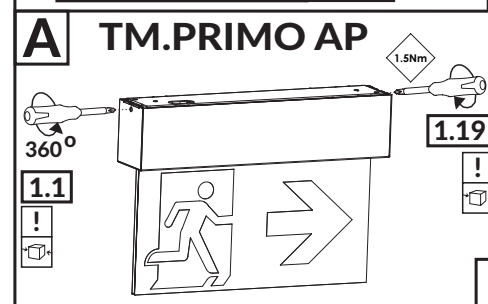
210 ÷ 250 V AC
 50 / 60 Hz
 186 ÷ 254 V DC

+0 ÷ +35°C
 -15 ÷ +55°C
 CBA
 -10 ÷ +40°C

PRIMO AP	A	B	C	D	E
25	273	186	61	250	125
30	323	228	61	300	150
40	423	261	61	400	200

PRIMO PP	A	B	C	D	E
25	307	204	91	250	125
30	386	240	91	300	150
40	452	279	91	400	200



D2 / D2R / DA / CBA / CBM

1.3

TM-PROG

≤50mm

A

B

1.4

360°

1.3

1.4

2xø6 [mm]

1.5

1.5

1.5

1.6

TM-PROG

≤50mm

D2 / D2R / DA / CBA / CBM

1.6

PRIMO AP 25 30 40
X 246 296 396

1.6

55

X

1.7

1.8

1.9

1.6

1.9

1.7

40mm

10mm

1.8

1.7

1.7

1.8

1.9

PRIMO PP 25 30 40
X 280 330 430

1.6

1.9

1.7

40mm

10mm

1.8

1.7

1.8

1.7

1.7

1.8

1.9

PRIMO PP 25 30 40
X 280 330 430

1.15

1.16

1.11

1.10

1.12

40mm

10mm

1.13

1.14

1.15

1.15

1.16

1.11

1.10

1.12

40mm

10mm

1.13

1.14

1.15

1.15

1.16

1.11

1.10

1.12

40mm

10mm

1.13

1.14

1.15

B

1.16

1.17

1.18

1.5Nm

A

1.10

1.14

B

1.19

1.23

A B

A1.11

B1.20

A1.12

B1.21

A1.13

B1.22

A1.17

B1.27

ON

A

4.2

1.1 → **1.2**

4

4.1

OFF

4.3

4.5

4.6

4.4

4.5

B

4.2

1.1 → **1.2**

4.4 **1.3** → **1.4** → **1.5**

4.7

4.8

4.3

4.6

4.8